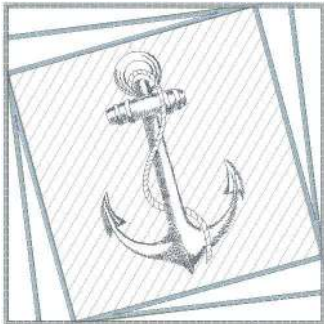


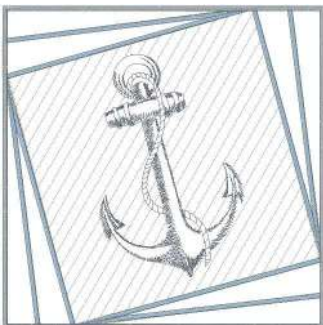
- 1. Off White (Mar:1181)
- 2. Bluish Soot (Mar:1165)
- 3. Pale Cobalt (Mar:1061)
- 4. Bright Citrus (Mar:1005)
- 5. Pale Cobalt (Mar:1061)
- 6. Bright Citrus (Mar:1005)
- 7. Pale Cobalt (Mar:1061)
- 8. Bluish Soot (Mar:1165)

Design1-10x10.pes
 9.66x9.66 inches; 36,367 stitches
 8 thread changes; 4 colors



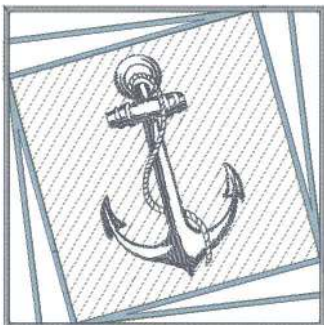
- 1. Off White (Mar:1181)
- 2. Bluish Soot (Mar:1165)
- 3. Pale Cobalt (Mar:1061)
- 4. Bright Citrus (Mar:1005)
- 5. Pale Cobalt (Mar:1061)
- 6. Bright Citrus (Mar:1005)
- 7. Pale Cobalt (Mar:1061)
- 8. Bluish Soot (Mar:1165)

Design1-12x12.pes
 11.63x11.63 inches; 43,111 stitches
 8 thread changes; 4 colors



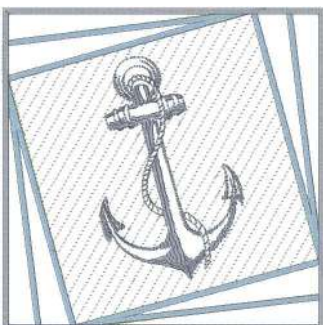
- 1. Off White (Mar:1181)
- 2. Bluish Soot (Mar:1165)
- 3. Pale Cobalt (Mar:1061)
- 4. Bright Citrus (Mar:1005)
- 5. Pale Cobalt (Mar:1061)
- 6. Bright Citrus (Mar:1005)
- 7. Pale Cobalt (Mar:1061)
- 8. Bluish Soot (Mar:1165)

Design1-13x13.pes
 13.01x13.01 inches; 57,037 stitches
 8 thread changes; 4 colors



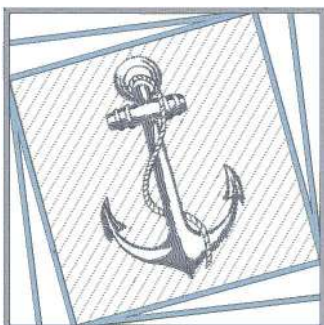
- 1. Off White (Mar:1181)
- 2. Bluish Soot (Mar:1165)
- 3. Pale Cobalt (Mar:1061)
- 4. Bright Citrus (Mar:1005)
- 5. Pale Cobalt (Mar:1061)
- 6. Bright Citrus (Mar:1005)
- 7. Pale Cobalt (Mar:1061)
- 8. Bluish Soot (Mar:1165)

Design1-5x5.pes
 4.94x4.94 inches; 19,615 stitches
 8 thread changes; 4 colors




- 1. Off White (Mar:1181)
- 2. Bluish Soot (Mar:1165)
- 3. Pale Cobalt (Mar:1061)
- 4. Bright Citrus (Mar:1005)
- 5. Pale Cobalt (Mar:1061)
- 6. Bright Citrus (Mar:1005)
- 7. Pale Cobalt (Mar:1061)
- 8. Bluish Soot (Mar:1165)

Design1-6x6.pes
 5.72x5.72 inches; 22,023 stitches
 8 thread changes; 4 colors



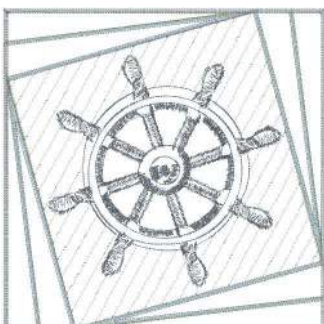
- 1. Off White (Mar:1181)
- 2. Bluish Soot (Mar:1165)
- 3. Pale Cobalt (Mar:1061)
- 4. Bright Citrus (Mar:1005)
- 5. Pale Cobalt (Mar:1061)
- 6. Bright Citrus (Mar:1005)
- 7. Pale Cobalt (Mar:1061)
- 8. Bluish Soot (Mar:1165)

Design1-8x8.pes
 7.69x7.69 inches; 28,989 stitches
 8 thread changes; 4 colors



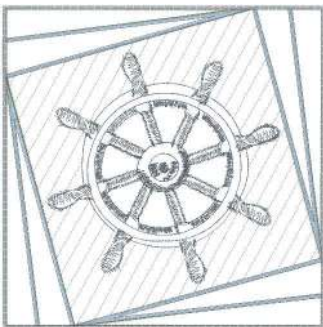
- 1. Off White (Mar:1181)
- 2. Bluish Soot (Mar:1165)
- 3. Pale Cobalt (Mar:1061)
- 4. Bright Citrus (Mar:1005)
- 5. Pale Cobalt (Mar:1061)
- 6. Bright Citrus (Mar:1005)
- 7. Pale Cobalt (Mar:1061)
- 8. Bluish Soot (Mar:1165)

Design1-9x9.pes
 8.48x8.48 inches; 31,739 stitches
 8 thread changes; 4 colors



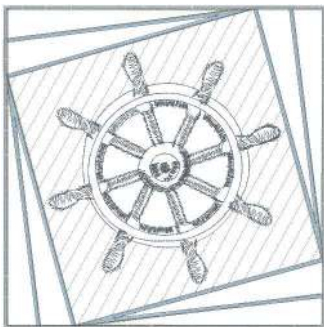
- 1. Off White (Mar:1181)
- 2. Blue Shield (Mar:1318)
- 3. Pale Cobalt (Mar:1061)
- 4. Bright Citrus (Mar:1005)
- 5. Pale Cobalt (Mar:1061)
- 6. Bright Citrus (Mar:1005)
- 7. Pale Cobalt (Mar:1061)
- 8. Bluish Soot (Mar:1165)

Design10-10x10.pes
 9.66x9.66 inches; 43,680 stitches
 8 thread changes; 5 colors



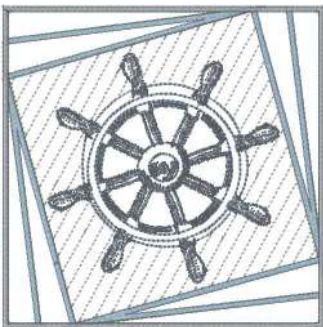
- 1. Off White (Mar:1181)
- 2. Blue Shield (Mar:1318)
- 3. Pale Cobalt (Mar:1061)
- 4. Bright Citrus (Mar:1005)
- 5. Pale Cobalt (Mar:1061)
- 6. Bright Citrus (Mar:1005)
- 7. Pale Cobalt (Mar:1061)
- 8. Bluish Soot (Mar:1165)

Design10-12x12.pes
11.63x11.63 inches; 51,125 stitches
8 thread changes; 5 colors



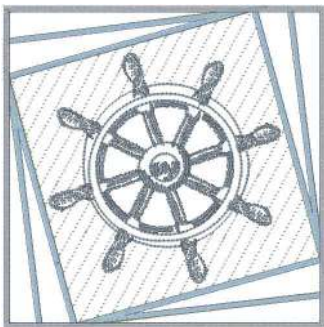
- 1. Off White (Mar:1181)
- 2. Blue Shield (Mar:1318)
- 3. Pale Cobalt (Mar:1061)
- 4. Bright Citrus (Mar:1005)
- 5. Pale Cobalt (Mar:1061)
- 6. Bright Citrus (Mar:1005)
- 7. Pale Cobalt (Mar:1061)
- 8. Bluish Soot (Mar:1165)

Design10-13x13.pes
13.01x13.01 inches; 56,904 stitches
8 thread changes; 5 colors



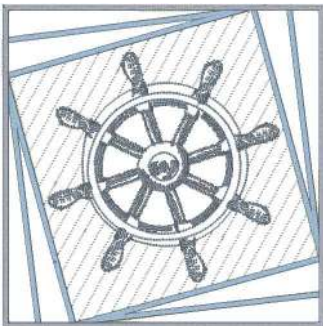
- 1. Off White (Mar:1181)
- 2. Blue Shield (Mar:1318)
- 3. Pale Cobalt (Mar:1061)
- 4. Bright Citrus (Mar:1005)
- 5. Pale Cobalt (Mar:1061)
- 6. Bright Citrus (Mar:1005)
- 7. Pale Cobalt (Mar:1061)
- 8. Bluish Soot (Mar:1165)

Design10-5x5.pes
4.94x4.94 inches; 24,573 stitches
8 thread changes; 5 colors



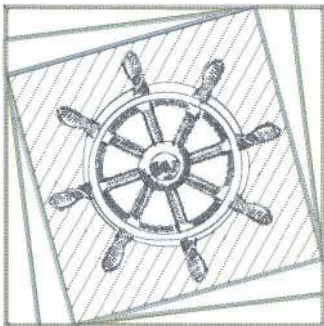
- 1. Off White (Mar:1181)
- 2. Blue Shield (Mar:1318)
- 3. Pale Cobalt (Mar:1061)
- 4. Bright Citrus (Mar:1005)
- 5. Pale Cobalt (Mar:1061)
- 6. Bright Citrus (Mar:1005)
- 7. Pale Cobalt (Mar:1061)
- 8. Bluish Soot (Mar:1165)

Design10-6x6.pes
5.72x5.72 inches; 27,737 stitches
8 thread changes; 5 colors



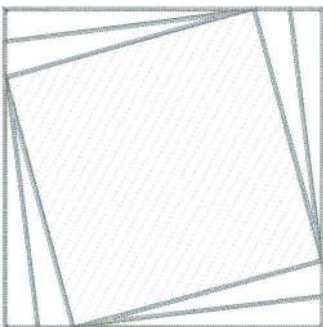
- 1. Off White (Mar:1181)
- 2. Blue Shield (Mar:1318)
- 3. Pale Cobalt (Mar:1061)
- 4. Bright Citrus (Mar:1005)
- 5. Pale Cobalt (Mar:1061)
- 6. Bright Citrus (Mar:1005)
- 7. Pale Cobalt (Mar:1061)
- 8. Bluish Soot (Mar:1165)

Design10-8x8.pes
7.69x7.69 inches; 35,764 stitches
8 thread changes; 5 colors



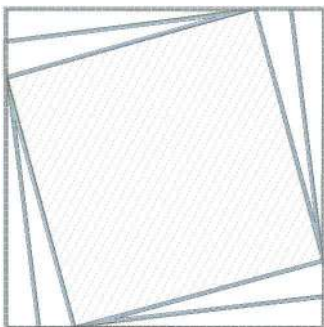
- 1. Off White (Mar:1181)
- 2. Blue Shield (Mar:1318)
- 3. Pale Cobalt (Mar:1061)
- 4. Bright Citrus (Mar:1005)
- 5. Pale Cobalt (Mar:1061)
- 6. Bright Citrus (Mar:1005)
- 7. Pale Cobalt (Mar:1061)
- 8. Bluish Soot (Mar:1165)

Design10-9x9.pes
8.48x8.48 inches; 38,406 stitches
8 thread changes; 5 colors



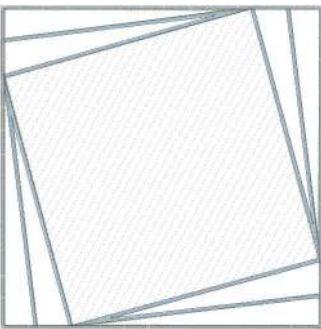
- 1. Off White (Mar:1181)
- 2. Pale Cobalt (Mar:1061)
- 3. Bright Citrus (Mar:1005)
- 4. Pale Cobalt (Mar:1061)
- 5. Bright Citrus (Mar:1005)
- 6. Pale Cobalt (Mar:1061)
- 7. Bluish Soot (Mar:1165)

Design11-Blank-10x10.pes
9.66x9.66 inches; 21,769 stitches
7 thread changes; 4 colors



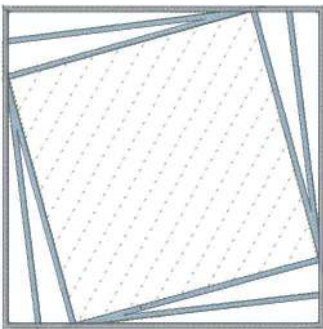
- 1. Off White (Mar:1181)
- 2. Pale Cobalt (Mar:1061)
- 3. Bright Citrus (Mar:1005)
- 4. Pale Cobalt (Mar:1061)
- 5. Bright Citrus (Mar:1005)
- 6. Pale Cobalt (Mar:1061)
- 7. Bluish Soot (Mar:1165)

Design11-Blank-12x12.pes
11.63x11.63 inches; 26,533 stitches
7 thread changes; 4 colors



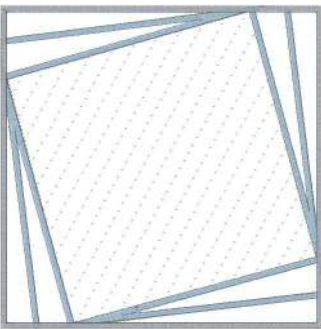
- 1. Off White (Mar:1181)
- 2. Pale Cobalt (Mar:1061)
- 3. Bright Citrus (Mar:1005)
- 4. Pale Cobalt (Mar:1061)
- 5. Bright Citrus (Mar:1005)
- 6. Pale Cobalt (Mar:1061)
- 7. Bluish Soot (Mar:1165)

Design11-Blank-13x13.pes
13.01x13.01 inches; 29,974 stitches
7 thread changes; 4 colors



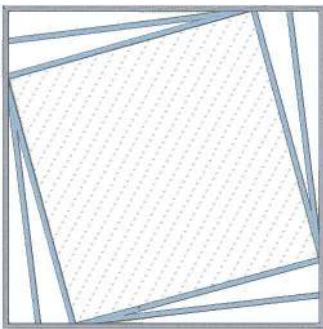
- 1. Off White (Mar:1181)
- 2. Pale Cobalt (Mar:1061)
- 3. Bright Citrus (Mar:1005)
- 4. Pale Cobalt (Mar:1061)
- 5. Bright Citrus (Mar:1005)
- 6. Pale Cobalt (Mar:1061)
- 7. Bluish Soot (Mar:1165)

Design11-Blank-5x5.pes
4.94x4.94 inches; 11,027 stitches
7 thread changes; 4 colors



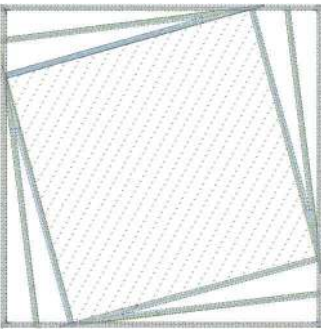
- 1. Off White (Mar:1181)
- 2. Pale Cobalt (Mar:1061)
- 3. Bright Citrus (Mar:1005)
- 4. Pale Cobalt (Mar:1061)
- 5. Bright Citrus (Mar:1005)
- 6. Pale Cobalt (Mar:1061)
- 7. Bluish Soot (Mar:1165)

Design11-Blank-6x6.pes
5.72x5.72 inches; 13,190 stitches
7 thread changes; 4 colors



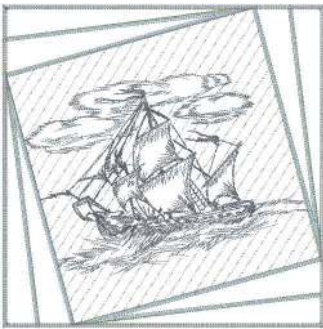
- 1. Off White (Mar:1181)
- 2. Pale Cobalt (Mar:1061)
- 3. Bright Citrus (Mar:1005)
- 4. Pale Cobalt (Mar:1061)
- 5. Bright Citrus (Mar:1005)
- 6. Pale Cobalt (Mar:1061)
- 7. Bluish Soot (Mar:1165)

Design11-Blank-8x8.pes
7.69x7.69 inches; 17,733 stitches
7 thread changes; 4 colors



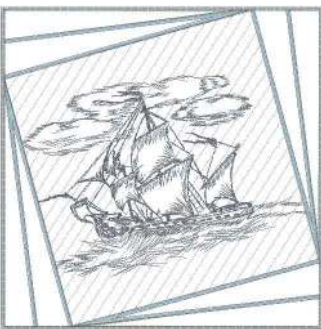
- 1. Off White (Mar:1181)
- 2. Pale Cobalt (Mar:1061)
- 3. Bright Citrus (Mar:1005)
- 4. Pale Cobalt (Mar:1061)
- 5. Bright Citrus (Mar:1005)
- 6. Pale Cobalt (Mar:1061)
- 7. Bluish Soot (Mar:1165)

Design11-Blank-9x9.pes
8.48x8.48 inches; 19,591 stitches
7 thread changes; 4 colors



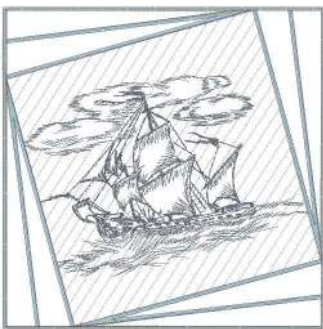
- 1. Off White (Mar:1181)
- 2. Bluish Soot (Mar:1165)
- 3. Pale Cobalt (Mar:1061)
- 4. Bright Citrus (Mar:1005)
- 5. Pale Cobalt (Mar:1061)
- 6. Bright Citrus (Mar:1005)
- 7. Pale Cobalt (Mar:1061)
- 8. Bluish Soot (Mar:1165)

Design2-10x10.pes
9.66x9.66 inches; 55,725 stitches
8 thread changes; 4 colors



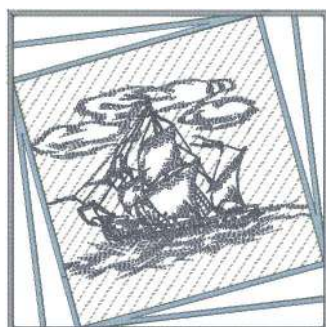
- 1. Off White (Mar:1181)
- 2. Bluish Soot (Mar:1165)
- 3. Pale Cobalt (Mar:1061)
- 4. Bright Citrus (Mar:1005)
- 5. Pale Cobalt (Mar:1061)
- 6. Bright Citrus (Mar:1005)
- 7. Pale Cobalt (Mar:1061)
- 8. Bluish Soot (Mar:1165)

Design2-12x12.pes
11.63x11.63 inches; 66,065 stitches
8 thread changes; 4 colors



- 1. Off White (Mar:1181)
- 2. Bluish Soot (Mar:1165)
- 3. Pale Cobalt (Mar:1061)
- 4. Bright Citrus (Mar:1005)
- 5. Pale Cobalt (Mar:1061)
- 6. Bright Citrus (Mar:1005)
- 7. Pale Cobalt (Mar:1061)
- 8. Bluish Soot (Mar:1165)

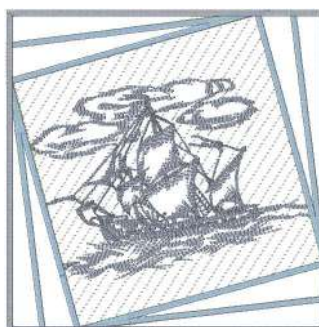
Design2-13x13.pes
12.98x12.98 inches; 71,968 stitches
8 thread changes; 4 colors



- 1. Off White (Mar:1181)
- 2. Bluish Soot (Mar:1165)
- 3. Pale Cobalt (Mar:1061)
- 4. Bright Citrus (Mar:1005)
- 5. Pale Cobalt (Mar:1061)
- 6. Bright Citrus (Mar:1005)
- 7. Pale Cobalt (Mar:1061)
- 8. Bluish Soot (Mar:1165)

Design2-5x5.pes

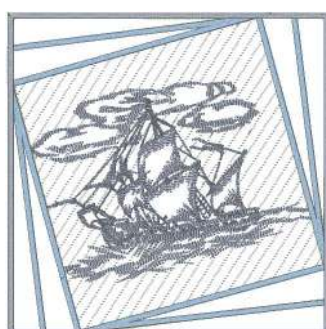
4.94x4.94 inches; 31,302 stitches
8 thread changes; 4 colors



- 1. Off White (Mar:1181)
- 2. Bluish Soot (Mar:1165)
- 3. Pale Cobalt (Mar:1061)
- 4. Bright Citrus (Mar:1005)
- 5. Pale Cobalt (Mar:1061)
- 6. Bright Citrus (Mar:1005)
- 7. Pale Cobalt (Mar:1061)
- 8. Bluish Soot (Mar:1165)

Design2-6x6.pes

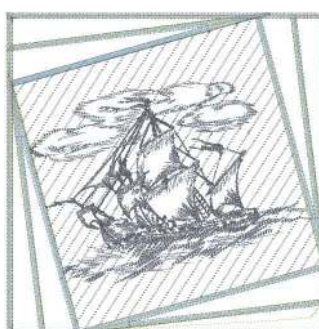
5.72x5.72 inches; 35,603 stitches
8 thread changes; 4 colors



- 1. Off White (Mar:1181)
- 2. Bluish Soot (Mar:1165)
- 3. Pale Cobalt (Mar:1061)
- 4. Bright Citrus (Mar:1005)
- 5. Pale Cobalt (Mar:1061)
- 6. Bright Citrus (Mar:1005)
- 7. Pale Cobalt (Mar:1061)
- 8. Bluish Soot (Mar:1165)

Design2-8x8.pes

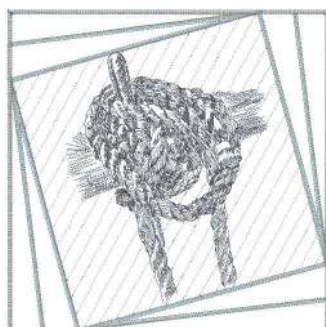
7.69x7.69 inches; 45,582 stitches
8 thread changes; 4 colors



- 1. Off White (Mar:1181)
- 2. Bluish Soot (Mar:1165)
- 3. Pale Cobalt (Mar:1061)
- 4. Bright Citrus (Mar:1005)
- 5. Pale Cobalt (Mar:1061)
- 6. Bright Citrus (Mar:1005)
- 7. Pale Cobalt (Mar:1061)
- 8. Bluish Soot (Mar:1165)

Design2-9x9.pes

8.48x8.48 inches; 49,489 stitches
8 thread changes; 4 colors



- 1. Off White (Mar:1181)
- 2. Bluish Soot (Mar:1165)
- 3. Estate Gray (Mar:1177)
- 4. Pale Cobalt (Mar:1061)
- 5. Bright Citrus (Mar:1005)
- 6. Pale Cobalt (Mar:1061)
- 7. Bright Citrus (Mar:1005)
- 8. Pale Cobalt (Mar:1061)
- 9. Bluish Soot (Mar:1165)

Design3-10x10.pes

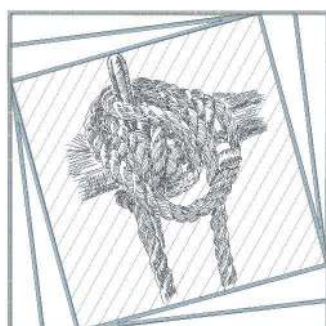
9.66x9.66 inches; 59,048 stitches
9 thread changes; 5 colors



- 1. Off White (Mar:1181)
- 2. Bluish Soot (Mar:1165)
- 3. Estate Gray (Mar:1177)
- 4. Pale Cobalt (Mar:1061)
- 5. Bright Citrus (Mar:1005)
- 6. Pale Cobalt (Mar:1061)
- 7. Bright Citrus (Mar:1005)
- 8. Pale Cobalt (Mar:1061)
- 9. Bluish Soot (Mar:1165)

Design3-12x12.pes

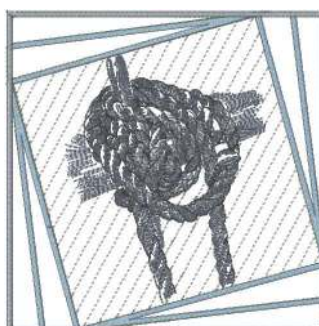
11.63x11.63 inches; 68,135 stitches
9 thread changes; 5 colors



- 1. Off White (Mar:1181)
- 2. Bluish Soot (Mar:1165)
- 3. Estate Gray (Mar:1177)
- 4. Pale Cobalt (Mar:1061)
- 5. Bright Citrus (Mar:1005)
- 6. Pale Cobalt (Mar:1061)
- 7. Bright Citrus (Mar:1005)
- 8. Pale Cobalt (Mar:1061)
- 9. Bluish Soot (Mar:1165)

Design3-13x13.pes

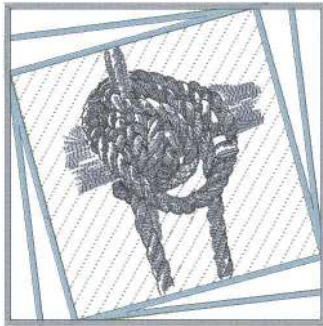
13.01x13.01 inches; 74,982 stitches
9 thread changes; 5 colors



- 1. Off White (Mar:1181)
- 2. Bluish Soot (Mar:1165)
- 3. Estate Gray (Mar:1177)
- 4. Pale Cobalt (Mar:1061)
- 5. Bright Citrus (Mar:1005)
- 6. Pale Cobalt (Mar:1061)
- 7. Bright Citrus (Mar:1005)
- 8. Pale Cobalt (Mar:1061)
- 9. Bluish Soot (Mar:1165)

Design3-5x5.pes

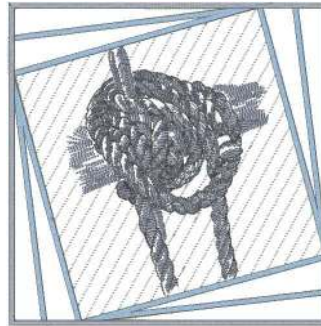
4.94x4.94 inches; 34,772 stitches
9 thread changes; 5 colors



- 1. Off White (Mar:1181)
- 2. Bluish Soot (Mar:1165)
- 3. Estate Gray (Mar:1177)
- 4. Pale Cobalt (Mar:1061)
- 5. Bright Citrus (Mar:1005)
- 6. Pale Cobalt (Mar:1061)
- 7. Bright Citrus (Mar:1005)
- 8. Pale Cobalt (Mar:1061)
- 9. Bluish Soot (Mar:1165)

Design3-6x6.pes

5.72x5.72 inches; 39,282 stitches
9 thread changes; 5 colors



- 1. Off White (Mar:1181)
- 2. Bluish Soot (Mar:1165)
- 3. Estate Gray (Mar:1177)
- 4. Pale Cobalt (Mar:1061)
- 5. Bright Citrus (Mar:1005)
- 6. Pale Cobalt (Mar:1061)
- 7. Bright Citrus (Mar:1005)
- 8. Pale Cobalt (Mar:1061)
- 9. Bluish Soot (Mar:1165)

Design3-8x8.pes

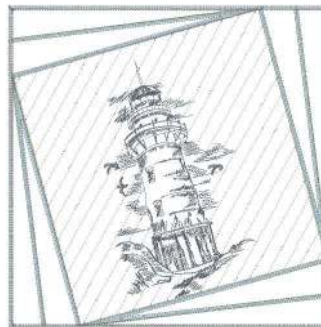
7.69x7.69 inches; 49,726 stitches
9 thread changes; 5 colors



- 1. Off White (Mar:1181)
- 2. Bluish Soot (Mar:1165)
- 3. Estate Gray (Mar:1177)
- 4. Pale Cobalt (Mar:1061)
- 5. Bright Citrus (Mar:1005)
- 6. Pale Cobalt (Mar:1061)
- 7. Bright Citrus (Mar:1005)
- 8. Pale Cobalt (Mar:1061)
- 9. Bluish Soot (Mar:1165)

Design3-9x9.pes

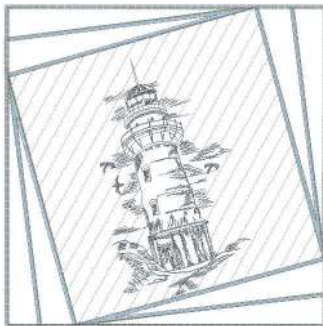
8.48x8.48 inches; 53,552 stitches
9 thread changes; 5 colors



- 1. Off White (Mar:1181)
- 2. Blue Shield (Mar:1318)
- 3. Pale Cobalt (Mar:1061)
- 4. Bright Citrus (Mar:1005)
- 5. Pale Cobalt (Mar:1061)
- 6. Bright Citrus (Mar:1005)
- 7. Pale Cobalt (Mar:1061)
- 8. Bluish Soot (Mar:1165)

Design4-10x10.pes

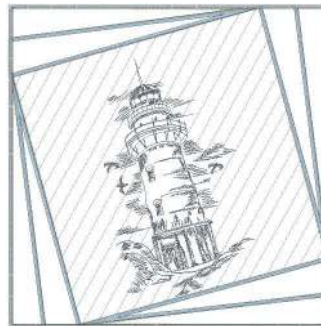
9.66x9.66 inches; 38,387 stitches
8 thread changes; 5 colors



- 1. Off White (Mar:1181)
- 2. Blue Shield (Mar:1318)
- 3. Pale Cobalt (Mar:1061)
- 4. Bright Citrus (Mar:1005)
- 5. Pale Cobalt (Mar:1061)
- 6. Bright Citrus (Mar:1005)
- 7. Pale Cobalt (Mar:1061)
- 8. Bluish Soot (Mar:1165)

Design4-12x12.pes

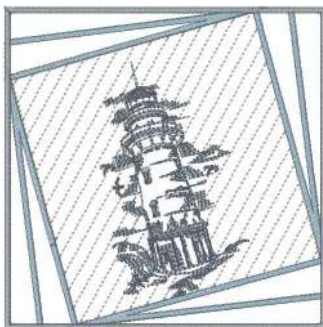
11.63x11.63 inches; 45,317 stitches
8 thread changes; 5 colors



- 1. Off White (Mar:1181)
- 2. Blue Shield (Mar:1318)
- 3. Pale Cobalt (Mar:1061)
- 4. Bright Citrus (Mar:1005)
- 5. Pale Cobalt (Mar:1061)
- 6. Bright Citrus (Mar:1005)
- 7. Pale Cobalt (Mar:1061)
- 8. Bluish Soot (Mar:1165)

Design4-13x13.pes

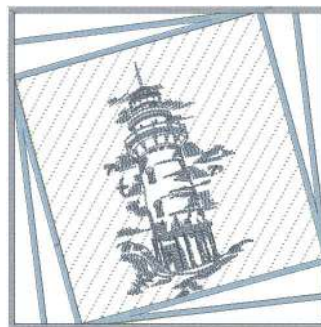
13.01x13.01 inches; 51,256 stitches
8 thread changes; 5 colors



- 1. Off White (Mar:1181)
- 2. Blue Shield (Mar:1318)
- 3. Pale Cobalt (Mar:1061)
- 4. Bright Citrus (Mar:1005)
- 5. Pale Cobalt (Mar:1061)
- 6. Bright Citrus (Mar:1005)
- 7. Pale Cobalt (Mar:1061)
- 8. Bluish Soot (Mar:1165)

Design4-5x5.pes

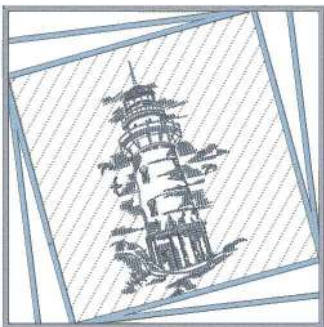
4.94x4.94 inches; 22,132 stitches
8 thread changes; 5 colors



- 1. Off White (Mar:1181)
- 2. Blue Shield (Mar:1318)
- 3. Pale Cobalt (Mar:1061)
- 4. Bright Citrus (Mar:1005)
- 5. Pale Cobalt (Mar:1061)
- 6. Bright Citrus (Mar:1005)
- 7. Pale Cobalt (Mar:1061)
- 8. Bluish Soot (Mar:1165)

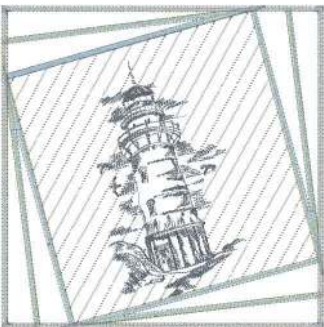
Design4-6x6.pes

5.72x5.72 inches; 24,893 stitches
8 thread changes; 5 colors



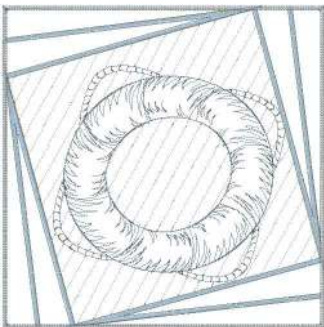
- 1. Off White (Mar:1181)
- 2. Blue Shield (Mar:1318)
- 3. Pale Cobalt (Mar:1061)
- 4. Bright Citrus (Mar:1005)
- 5. Pale Cobalt (Mar:1061)
- 6. Bright Citrus (Mar:1005)
- 7. Pale Cobalt (Mar:1061)
- 8. Bluish Soot (Mar:1165)

Design4-8x8.pes
7.69x7.69 inches; 32,024 stitches
8 thread changes; 5 colors



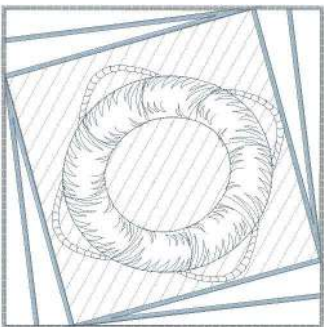
- 1. Off White (Mar:1181)
- 2. Blue Shield (Mar:1318)
- 3. Pale Cobalt (Mar:1061)
- 4. Bright Citrus (Mar:1005)
- 5. Pale Cobalt (Mar:1061)
- 6. Bright Citrus (Mar:1005)
- 7. Pale Cobalt (Mar:1061)
- 8. Bluish Soot (Mar:1165)

Design4-9x9.pes
8.48x8.48 inches; 34,953 stitches
8 thread changes; 5 colors



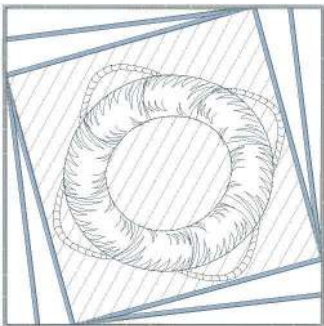
- 1. Off White (Mar:1181)
- 2. Blue Shield (Mar:1318)
- 3. Pale Cobalt (Mar:1061)
- 4. Bright Citrus (Mar:1005)
- 5. Pale Cobalt (Mar:1061)
- 6. Bright Citrus (Mar:1005)
- 7. Pale Cobalt (Mar:1061)
- 8. Bluish Soot (Mar:1165)

Design5-10x10.pes
9.66x9.66 inches; 33,432 stitches
8 thread changes; 5 colors



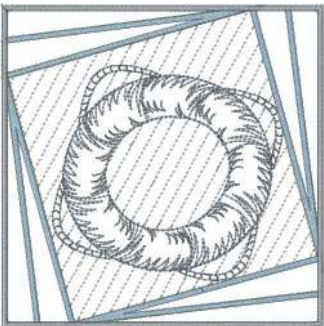
- 1. Off White (Mar:1181)
- 2. Blue Shield (Mar:1318)
- 3. Pale Cobalt (Mar:1061)
- 4. Bright Citrus (Mar:1005)
- 5. Pale Cobalt (Mar:1061)
- 6. Bright Citrus (Mar:1005)
- 7. Pale Cobalt (Mar:1061)
- 8. Bluish Soot (Mar:1165)

Design5-12x12.pes
11.63x11.63 inches; 39,546 stitches
8 thread changes; 5 colors



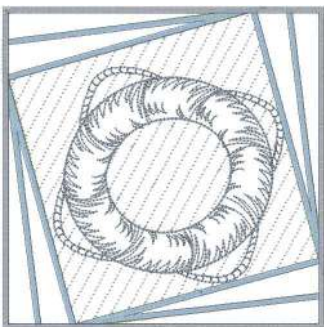
- 1. Off White (Mar:1181)
- 2. Blue Shield (Mar:1318)
- 3. Pale Cobalt (Mar:1061)
- 4. Bright Citrus (Mar:1005)
- 5. Pale Cobalt (Mar:1061)
- 6. Bright Citrus (Mar:1005)
- 7. Pale Cobalt (Mar:1061)
- 8. Bluish Soot (Mar:1165)

Design5-13x13.pes
13.01x13.01 inches; 51,622 stitches
8 thread changes; 5 colors



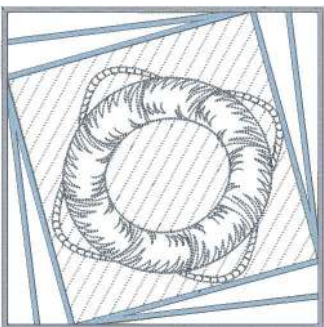
- 1. Off White (Mar:1181)
- 2. Blue Shield (Mar:1318)
- 3. Pale Cobalt (Mar:1061)
- 4. Bright Citrus (Mar:1005)
- 5. Pale Cobalt (Mar:1061)
- 6. Bright Citrus (Mar:1005)
- 7. Pale Cobalt (Mar:1061)
- 8. Bluish Soot (Mar:1165)

Design5-5x5.pes
4.94x4.94 inches; 18,196 stitches
8 thread changes; 5 colors



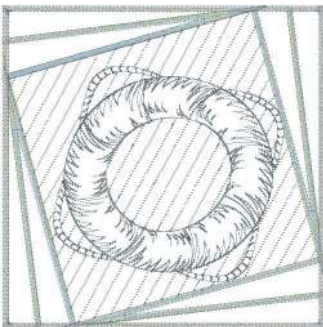
- 1. Off White (Mar:1181)
- 2. Blue Shield (Mar:1318)
- 3. Pale Cobalt (Mar:1061)
- 4. Bright Citrus (Mar:1005)
- 5. Pale Cobalt (Mar:1061)
- 6. Bright Citrus (Mar:1005)
- 7. Pale Cobalt (Mar:1061)
- 8. Bluish Soot (Mar:1165)

Design5-6x6.pes
5.72x5.72 inches; 20,707 stitches
8 thread changes; 5 colors



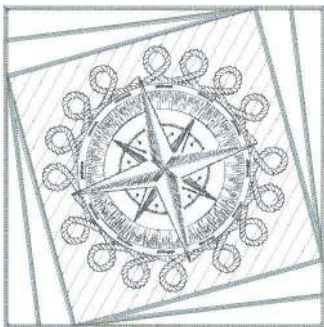
- 1. Off White (Mar:1181)
- 2. Blue Shield (Mar:1318)
- 3. Pale Cobalt (Mar:1061)
- 4. Bright Citrus (Mar:1005)
- 5. Pale Cobalt (Mar:1061)
- 6. Bright Citrus (Mar:1005)
- 7. Pale Cobalt (Mar:1061)
- 8. Bluish Soot (Mar:1165)

Design5-8x8.pes
7.69x7.69 inches; 26,900 stitches
8 thread changes; 5 colors




- 1. Off White (Mar:1181)
- 2. Blue Shield (Mar:1318)
- 3. Pale Cobalt (Mar:1061)
- 4. Bright Citrus (Mar:1005)
- 5. Pale Cobalt (Mar:1061)
- 6. Bright Citrus (Mar:1005)
- 7. Pale Cobalt (Mar:1061)
- 8. Bluish Soot (Mar:1165)

Design5-9x9.pes
8.48x8.48 inches; 29,286 stitches
8 thread changes; 5 colors



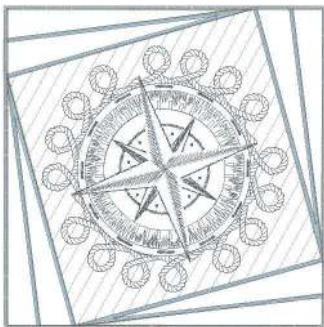
- 1. Off White (Mar:1181)
- 2. Blue Shield (Mar:1318)
- 3. Pale Cobalt (Mar:1061)
- 4. Bright Citrus (Mar:1005)
- 5. Pale Cobalt (Mar:1061)
- 6. Bright Citrus (Mar:1005)
- 7. Pale Cobalt (Mar:1061)
- 8. Bluish Soot (Mar:1165)

Design6-10x10.pes
9.66x9.66 inches; 51,855 stitches
8 thread changes; 5 colors



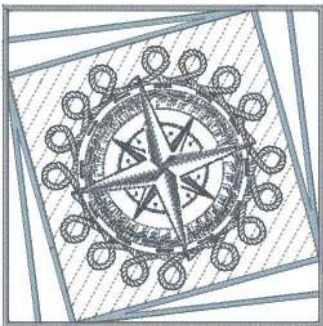
- 1. Off White (Mar:1181)
- 2. Blue Shield (Mar:1318)
- 3. Pale Cobalt (Mar:1061)
- 4. Bright Citrus (Mar:1005)
- 5. Pale Cobalt (Mar:1061)
- 6. Bright Citrus (Mar:1005)
- 7. Pale Cobalt (Mar:1061)
- 8. Bluish Soot (Mar:1165)

Design6-12x12.pes
11.63x11.63 inches; 60,577 stitches
8 thread changes; 5 colors



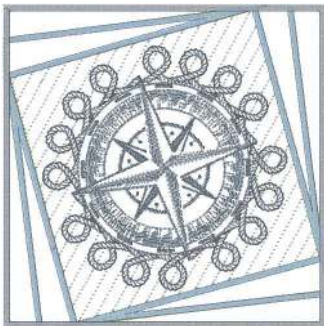
- 1. Off White (Mar:1181)
- 2. Blue Shield (Mar:1318)
- 3. Pale Cobalt (Mar:1061)
- 4. Bright Citrus (Mar:1005)
- 5. Pale Cobalt (Mar:1061)
- 6. Bright Citrus (Mar:1005)
- 7. Pale Cobalt (Mar:1061)
- 8. Bluish Soot (Mar:1165)

Design6-13x13.pes
13.01x13.01 inches; 67,609 stitches
8 thread changes; 5 colors



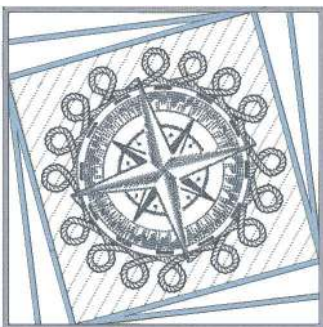
- 1. Off White (Mar:1181)
- 2. Blue Shield (Mar:1318)
- 3. Pale Cobalt (Mar:1061)
- 4. Bright Citrus (Mar:1005)
- 5. Pale Cobalt (Mar:1061)
- 6. Bright Citrus (Mar:1005)
- 7. Pale Cobalt (Mar:1061)
- 8. Bluish Soot (Mar:1165)

Design6-5x5.pes
4.94x4.94 inches; 30,426 stitches
8 thread changes; 5 colors



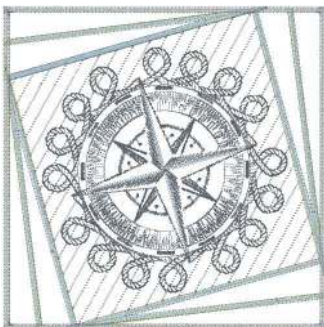
- 1. Off White (Mar:1181)
- 2. Blue Shield (Mar:1318)
- 3. Pale Cobalt (Mar:1061)
- 4. Bright Citrus (Mar:1005)
- 5. Pale Cobalt (Mar:1061)
- 6. Bright Citrus (Mar:1005)
- 7. Pale Cobalt (Mar:1061)
- 8. Bluish Soot (Mar:1165)

Design6-6x6.pes
5.72x5.72 inches; 34,014 stitches
8 thread changes; 5 colors



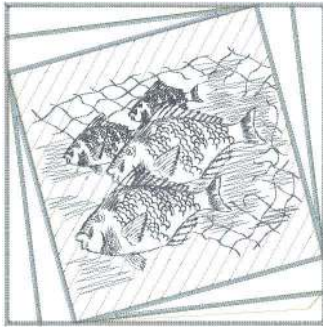
- 1. Off White (Mar:1181)
- 2. Blue Shield (Mar:1318)
- 3. Pale Cobalt (Mar:1061)
- 4. Bright Citrus (Mar:1005)
- 5. Pale Cobalt (Mar:1061)
- 6. Bright Citrus (Mar:1005)
- 7. Pale Cobalt (Mar:1061)
- 8. Bluish Soot (Mar:1165)

Design6-8x8.pes
7.69x7.69 inches; 43,561 stitches
8 thread changes; 5 colors



- 1. Off White (Mar:1181)
- 2. Blue Shield (Mar:1318)
- 3. Pale Cobalt (Mar:1061)
- 4. Bright Citrus (Mar:1005)
- 5. Pale Cobalt (Mar:1061)
- 6. Bright Citrus (Mar:1005)
- 7. Pale Cobalt (Mar:1061)
- 8. Bluish Soot (Mar:1165)

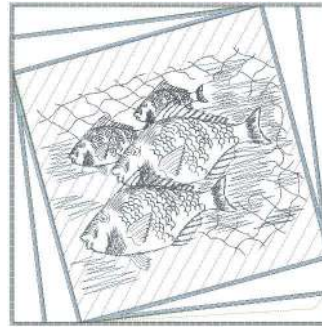
Design6-9x9.pes
8.48x8.48 inches; 47,062 stitches
8 thread changes; 5 colors



- 1. Off White (Mar:1181)
- 2. Blue Shield (Mar:1318)
- 3. Pale Cobalt (Mar:1061)
- 4. Bright Citrus (Mar:1005)
- 5. Pale Cobalt (Mar:1061)
- 6. Bright Citrus (Mar:1005)
- 7. Pale Cobalt (Mar:1061)
- 8. Bluish Soot (Mar:1165)

Design7-10x10.pes

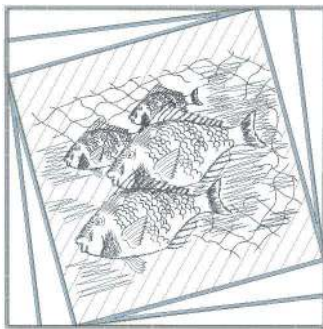
9.66x9.66 inches; 56,222 stitches
8 thread changes; 5 colors



- 1. Off White (Mar:1181)
- 2. Blue Shield (Mar:1318)
- 3. Pale Cobalt (Mar:1061)
- 4. Bright Citrus (Mar:1005)
- 5. Pale Cobalt (Mar:1061)
- 6. Bright Citrus (Mar:1005)
- 7. Pale Cobalt (Mar:1061)
- 8. Bluish Soot (Mar:1165)

Design7-12x12.pes

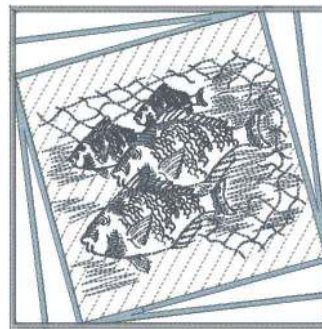
11.63x11.63 inches; 65,186 stitches
8 thread changes; 5 colors



- 1. Off White (Mar:1181)
- 2. Blue Shield (Mar:1318)
- 3. Pale Cobalt (Mar:1061)
- 4. Bright Citrus (Mar:1005)
- 5. Pale Cobalt (Mar:1061)
- 6. Bright Citrus (Mar:1005)
- 7. Pale Cobalt (Mar:1061)
- 8. Bluish Soot (Mar:1165)

Design7-13x13.pes

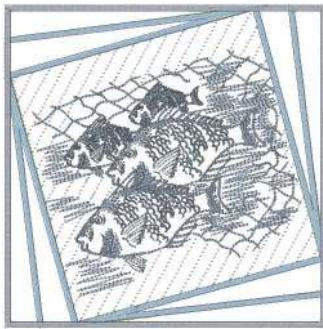
13.01x13.01 inches; 71,673 stitches
8 thread changes; 5 colors



- 1. Off White (Mar:1181)
- 2. Blue Shield (Mar:1318)
- 3. Pale Cobalt (Mar:1061)
- 4. Bright Citrus (Mar:1005)
- 5. Pale Cobalt (Mar:1061)
- 6. Bright Citrus (Mar:1005)
- 7. Pale Cobalt (Mar:1061)
- 8. Bluish Soot (Mar:1165)

Design7-5x5.pes

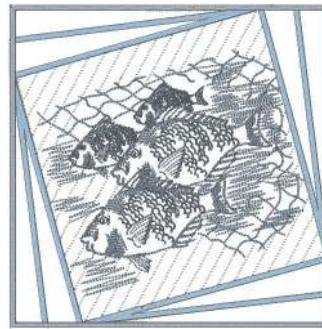
4.94x4.94 inches; 33,321 stitches
8 thread changes; 5 colors



- 1. Off White (Mar:1181)
- 2. Blue Shield (Mar:1318)
- 3. Pale Cobalt (Mar:1061)
- 4. Bright Citrus (Mar:1005)
- 5. Pale Cobalt (Mar:1061)
- 6. Bright Citrus (Mar:1005)
- 7. Pale Cobalt (Mar:1061)
- 8. Bluish Soot (Mar:1165)

Design7-6x6.pes

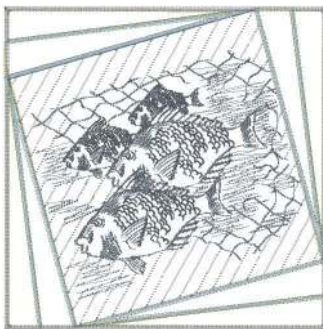
5.72x5.72 inches; 37,230 stitches
8 thread changes; 5 colors



- 1. Off White (Mar:1181)
- 2. Blue Shield (Mar:1318)
- 3. Pale Cobalt (Mar:1061)
- 4. Bright Citrus (Mar:1005)
- 5. Pale Cobalt (Mar:1061)
- 6. Bright Citrus (Mar:1005)
- 7. Pale Cobalt (Mar:1061)
- 8. Bluish Soot (Mar:1165)

Design7-8x8.pes

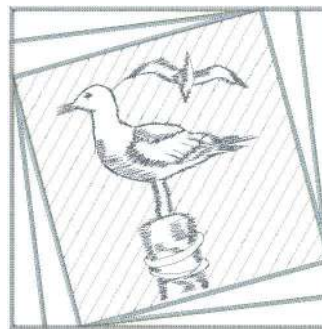
7.69x7.69 inches; 47,100 stitches
8 thread changes; 5 colors



- 1. Off White (Mar:1181)
- 2. Blue Shield (Mar:1318)
- 3. Pale Cobalt (Mar:1061)
- 4. Bright Citrus (Mar:1005)
- 5. Pale Cobalt (Mar:1061)
- 6. Bright Citrus (Mar:1005)
- 7. Pale Cobalt (Mar:1061)
- 8. Bluish Soot (Mar:1165)

Design7-9x9.pes

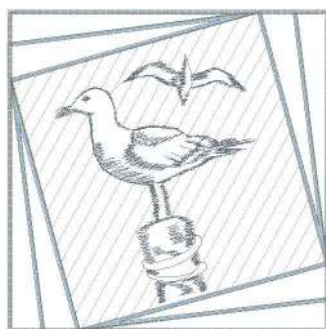
8.48x8.48 inches; 50,017 stitches
8 thread changes; 5 colors



- 1. Off White (Mar:1181)
- 2. Blue Shield (Mar:1318)
- 3. Pale Cobalt (Mar:1061)
- 4. Bright Citrus (Mar:1005)
- 5. Pale Cobalt (Mar:1061)
- 6. Bright Citrus (Mar:1005)
- 7. Pale Cobalt (Mar:1061)
- 8. Bluish Soot (Mar:1165)

Design8-10x10.pes

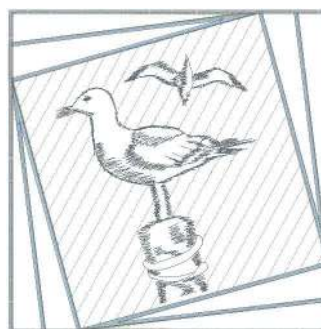
9.66x9.66 inches; 35,859 stitches
8 thread changes; 5 colors



- 1. Off White (Mar:1181)
- 2. Blue Shield (Mar:1318)
- 3. Pale Cobalt (Mar:1061)
- 4. Bright Citrus (Mar:1005)
- 5. Pale Cobalt (Mar:1061)
- 6. Bright Citrus (Mar:1005)
- 7. Pale Cobalt (Mar:1061)
- 8. Bluish Soot (Mar:1165)

Design8-12x12.pes

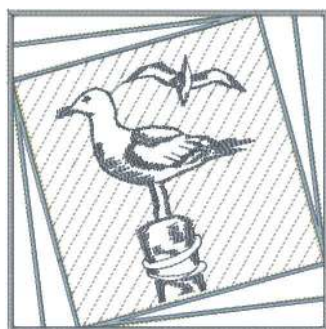
11.63x11.63 inches; 42,521 stitches
8 thread changes; 5 colors



- 1. Off White (Mar:1181)
- 2. Blue Shield (Mar:1318)
- 3. Pale Cobalt (Mar:1061)
- 4. Bright Citrus (Mar:1005)
- 5. Pale Cobalt (Mar:1061)
- 6. Bright Citrus (Mar:1005)
- 7. Pale Cobalt (Mar:1061)
- 8. Bluish Soot (Mar:1165)

Design8-13x13.pes

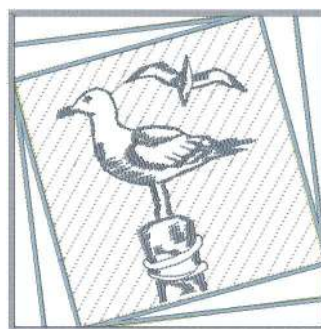
13.01x13.01 inches; 47,800 stitches
8 thread changes; 5 colors



- 1. Off White (Mar:1181)
- 2. Blue Shield (Mar:1318)
- 3. Pale Cobalt (Mar:1061)
- 4. Bright Citrus (Mar:1005)
- 5. Pale Cobalt (Mar:1061)
- 6. Bright Citrus (Mar:1005)
- 7. Pale Cobalt (Mar:1061)
- 8. Bluish Soot (Mar:1165)

Design8-5x5.pes

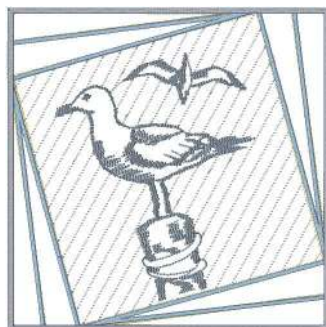
4.94x4.94 inches; 19,986 stitches
8 thread changes; 5 colors



- 1. Off White (Mar:1181)
- 2. Blue Shield (Mar:1318)
- 3. Pale Cobalt (Mar:1061)
- 4. Bright Citrus (Mar:1005)
- 5. Pale Cobalt (Mar:1061)
- 6. Bright Citrus (Mar:1005)
- 7. Pale Cobalt (Mar:1061)
- 8. Bluish Soot (Mar:1165)

Design8-6x6.pes

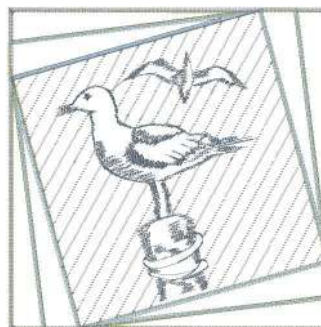
5.72x5.72 inches; 22,532 stitches
8 thread changes; 5 colors



- 1. Off White (Mar:1181)
- 2. Blue Shield (Mar:1318)
- 3. Pale Cobalt (Mar:1061)
- 4. Bright Citrus (Mar:1005)
- 5. Pale Cobalt (Mar:1061)
- 6. Bright Citrus (Mar:1005)
- 7. Pale Cobalt (Mar:1061)
- 8. Bluish Soot (Mar:1165)

Design8-8x8.pes

7.69x7.69 inches; 29,533 stitches
8 thread changes; 5 colors



- 1. Off White (Mar:1181)
- 2. Blue Shield (Mar:1318)
- 3. Pale Cobalt (Mar:1061)
- 4. Bright Citrus (Mar:1005)
- 5. Pale Cobalt (Mar:1061)
- 6. Bright Citrus (Mar:1005)
- 7. Pale Cobalt (Mar:1061)
- 8. Bluish Soot (Mar:1165)

Design8-9x9.pes

8.48x8.48 inches; 31,593 stitches
8 thread changes; 5 colors



- 1. Off White (Mar:1181)
- 2. Blue Shield (Mar:1318)
- 3. Pale Cobalt (Mar:1061)
- 4. Bright Citrus (Mar:1005)
- 5. Pale Cobalt (Mar:1061)
- 6. Bright Citrus (Mar:1005)
- 7. Pale Cobalt (Mar:1061)
- 8. Bluish Soot (Mar:1165)

Design9-10x10.pes

9.66x9.66 inches; 42,672 stitches
8 thread changes; 5 colors



- 1. Off White (Mar:1181)
- 2. Blue Shield (Mar:1318)
- 3. Pale Cobalt (Mar:1061)
- 4. Bright Citrus (Mar:1005)
- 5. Pale Cobalt (Mar:1061)
- 6. Bright Citrus (Mar:1005)
- 7. Pale Cobalt (Mar:1061)
- 8. Bluish Soot (Mar:1165)

Design9-12x12.pes

11.63x11.63 inches; 50,699 stitches
8 thread changes; 5 colors



- 1. Off White (Mar:1181)
- 2. Blue Shield (Mar:1318)
- 3. Pale Cobalt (Mar:1061)
- 4. Bright Citrus (Mar:1005)
- 5. Pale Cobalt (Mar:1061)
- 6. Bright Citrus (Mar:1005)
- 7. Pale Cobalt (Mar:1061)
- 8. Bluish Soot (Mar:1165)

Design9-13x13.pes

13.01x13.01 inches; 56,513 stitches
8 thread changes; 5 colors



- 1. Off White (Mar:1181)
- 2. Blue Shield (Mar:1318)
- 3. Pale Cobalt (Mar:1061)
- 4. Bright Citrus (Mar:1005)
- 5. Pale Cobalt (Mar:1061)
- 6. Bright Citrus (Mar:1005)
- 7. Pale Cobalt (Mar:1061)
- 8. Bluish Soot (Mar:1165)

Design9-5x5.pes

4.94x4.94 inches; 24,363 stitches
8 thread changes; 5 colors



- 1. Off White (Mar:1181)
- 2. Blue Shield (Mar:1318)
- 3. Pale Cobalt (Mar:1061)
- 4. Bright Citrus (Mar:1005)
- 5. Pale Cobalt (Mar:1061)
- 6. Bright Citrus (Mar:1005)
- 7. Pale Cobalt (Mar:1061)
- 8. Bluish Soot (Mar:1165)

Design9-6x6.pes

5.72x5.72 inches; 27,424 stitches
8 thread changes; 5 colors



- 1. Off White (Mar:1181)
- 2. Blue Shield (Mar:1318)
- 3. Pale Cobalt (Mar:1061)
- 4. Bright Citrus (Mar:1005)
- 5. Pale Cobalt (Mar:1061)
- 6. Bright Citrus (Mar:1005)
- 7. Pale Cobalt (Mar:1061)
- 8. Bluish Soot (Mar:1165)

Design9-8x8.pes

7.69x7.69 inches; 35,198 stitches
8 thread changes; 5 colors



- 1. Off White (Mar:1181)
- 2. Blue Shield (Mar:1318)
- 3. Pale Cobalt (Mar:1061)
- 4. Bright Citrus (Mar:1005)
- 5. Pale Cobalt (Mar:1061)
- 6. Bright Citrus (Mar:1005)
- 7. Pale Cobalt (Mar:1061)
- 8. Bluish Soot (Mar:1165)

Design9-9x9.pes

8.48x8.48 inches; 37,692 stitches
8 thread changes; 5 colors